

Friday for Features will take a look on not so well-known features in **SATlive**, thus helping you to improve your user experience with **SATlive**.

The topic of today's Fridays for Features is:

### Take the right route part two

Last Friday we've started to look into the audio - configuration feature of **SATlive**. Today I'll show you how to recall a certain configuration.

As explained last week, audio - configuration enables the user to define different audio I/O settings for the same ASIO device. Furthermore you can control the delay used for measurement and select a certain routing configuration for the outputs of the device.

For this paper I've prepared two configurations, called *Sub - Front* and *Sub - Rear*.

To recall a configuration, open the menu of the signal - generator and choose *Connection Manager*.

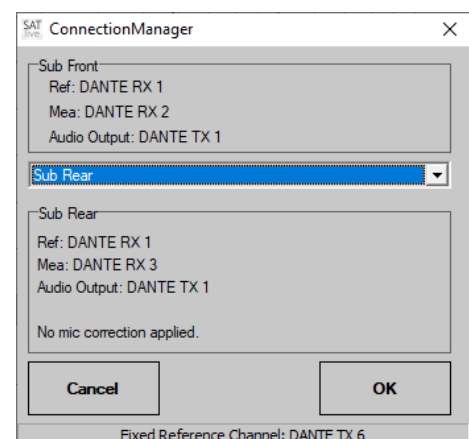
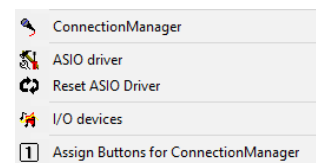
The window that will open up shows the currently used configuration at the top, a selection area to choose the new configuration from and an information - area showing the settings of the new configuration at the bottom.

The statusbar at the bottom shows some information about the output mode currently selected.

To activate the new configuration click *OK*.

**SATlive** will close the window and activate the new configuration immediately afterwards.

A click onto the button *Cancel* will just close the window without changing the current audio configuration.



If you want to change your audio - configuration frequently, you can speed the change of the audio - configuration by using the eight buttons at the bottom. Use either the entry *Assign Buttons for ConnectionManager* in the menu of the signal - generator or click onto an unassigned button in the button - area of the signal - generator.

Use the selection area to assign an audio - configuration to a button.

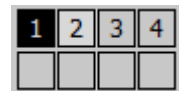
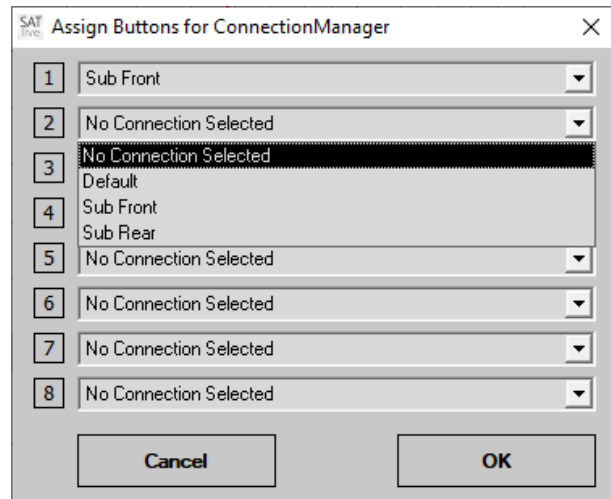
You can assign the same audio - configuration to different buttons.

The entry *No Connection Selected* will clear the assignment for this button.

Confirm your assignment by clicking on the OK button at the lower right.

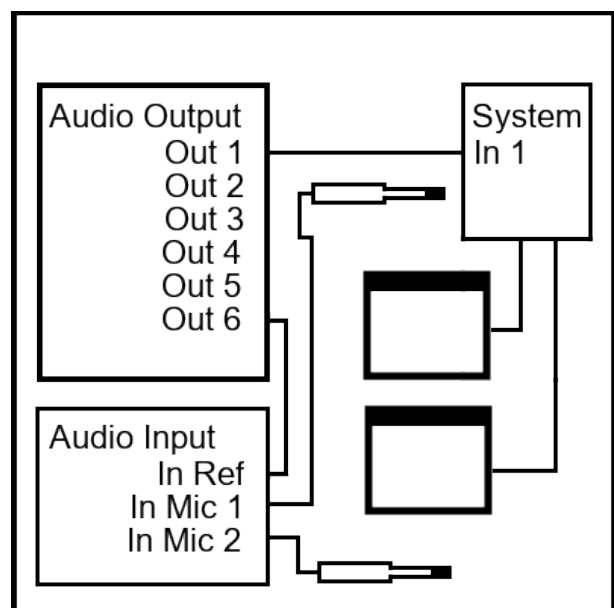
After assignment, you can recall the audio - configuration by just clicking on

its button. Moving the mouse over a button will show the name of the audio - configuration assigned to it.



As an example let's setup a small sub-woofer array.

We'll set up two measurement mics, one in front of the array and the other behind the array. We'll use the mic in the back to optimize cancellation and the mic in the front to check the usable output. We're using a multi - I/O device, where we'll connect the reference output and the two microphone inputs to individual inputs of the device.



In *Setup* → *I/O Devices* we create two audio - configurations.

In this example we use the audio - out mode *fixed reference channel*.

For the first configuration we use the first input - channel as the reference input and the second input for the measurement mic in front of the array.

The second configuration uses the same input for the reference signal and the third input - channel as the input for the second measurement mic, positioned behind the array.

After assigning the two audio - configurations to different buttons we can easily switch between

both mic locations. After assigning the audio - configurations to different buttons we can quickly change between both settings.

Using audio - configuration can be very helpful when you're using the web - interface of **SATlive**.

To change an audio configuration in the web - interface open the main menu and choose *I/O - Routing*. This will show a list of all available configurations. A click on an entry will activate the audio - configuration immediately.

